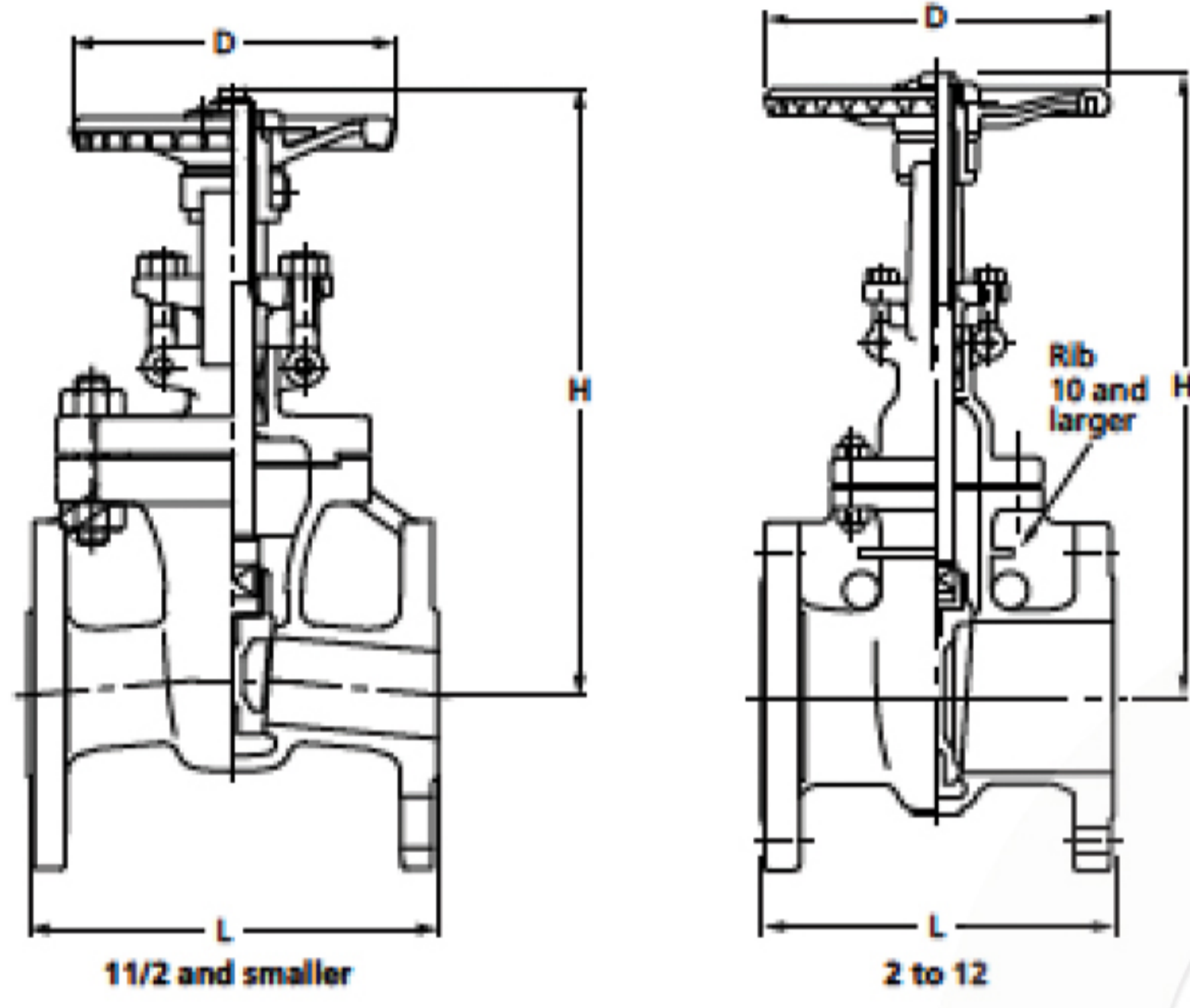


Class 150

GATE VALVE

Pressure-Temperature Rating: ASME B16.34

150UMA



Materials

Parts	150UMA	150UMAM
Body	CF8	CF8M
Bonnet	CF8	CF8M
Stem	304	316
Disc	CF8	CF8M
Gland	304	316
Gland flange	CF8	
Gland packing	Refer to Page 10	
Gasket	Refer to Page 10	
Yoke sleeve	Ductile Ni-resist	
Yoke*	Ductile iron	
Handwheel	Ductile iron	
Gland bolt/nut	B8/8	
Bonnet bolt/nut	B8/8	
Grease nipple**	Stainless steel	
Name plate	Aluminum	

*Yoke is separated from bonnet for 10 and larger.
 **For size 10 and larger
 Note: • Body seats and/or disc seats can be optionally hard-faced.
 • Flexible wedge for all sizes

Items	
Face to face dimensions	ASME B16.10 Class 150
End flange dimensions	ASME B16.5 Class 150
Wall thickness	ASME B16.34 Class 150

Nominal Size		1/2	3/4	1	1 1/2	2	2 1/2	3	4	5	6	8	10	12	14	16	18	20	24
		15	20	25	40	50	65	80	100	125	150	200	250	300	350	400	450	500	600
L	in.	4.25	4.61	5.00	6.50	7.00	7.50	8.00	9.00	10.0	10.5	11.5	13.0	14.0	15.00	16.00	17.00	18.00	20.00
	mm	108	117	127	165	178	190	203	229	254	267	292	330	356	381	406	432	457	508
H (open)	in.	7.91	8.31	8.82	11.2	13.2	14.7	17.5	20.6	23.9	28.0	36.4	44.3	52.6	58.50	66.54	74.41	82.68	96.85
	mm	201	211	224	284	336	374	444	523	606	711	924	1126	1336	1486	1690	1890	2100	2460
D	in.	3.54	3.54	3.94	5.51	6.30	7.09	7.87	8.86	9.84	9.84	11.8	13.8	15.8	17.72	23.62	23.62	26.77	29.92
	mm	90	90	100	140	160	180	200	225	250	250	300	350	400	450	600	600	680	760